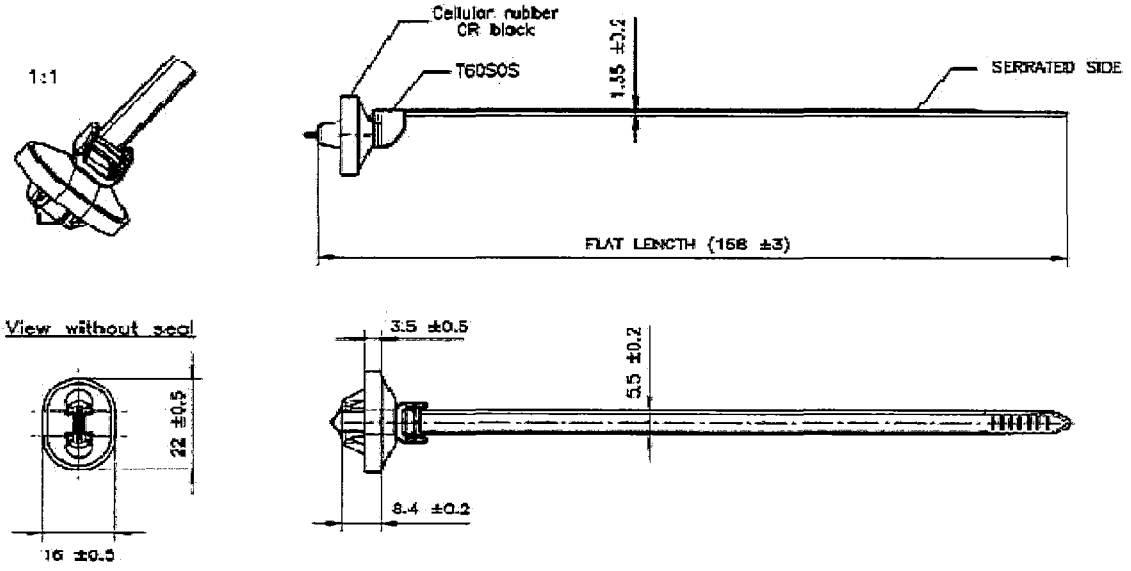




Revision level		Revision Record	Changed	Date	Approved	Date
Part	Drawing					



Bundle diameter (mm)	1.6 - 30
Hole size (mm)	0.5±0.25 X13.0±0.25
Panel thickness (mm)	0.6 - 2.0
Material	P.A. 66

Minimum tensile strength	300N
Dimension without tolerances details to:	DIN 16901
Tolerances	
PERFORMANCE SPECIFICATION	

The copyright of this drawing is reserved by HELLERMANN TYTON. It is issued on condition that it is not reproduced, copied or disclosed to a third party, either wholly or in part, without the consent of HELLERMANN TYTON.

Drawn	MANDY ONG	26/09/12
Approved	EDWARD TAN	26/09/12

**HellermannTyton**  
 545, Mahan Industrial Park A  
 Yishun Avenue 7  
 Singapore 768741  
 Tel: (+65) 6852 8585  
 Fax: (+65) 6756 6798

Scale: not to scale	Reference: 12-0296-001-00N
Title: <b>T60S0SSFT65X130-E-MS-MD</b>	
Drawing-No: <b>SG12017-00</b>	
Uncontrolled Document	
Format: <b>A4</b>	
Sheet 1 of 1	

**Product Number**  
**Cross Reference Record**

Uncontrolled Document

<b>Type Number</b>	<b>UNS Universal Number System</b>	<b>Customer Drawing Title</b>	<b>Color</b>
T60SOSSFT65x130-E-MS- MD	126-00186		BLK

Issued By:

Reference Drawing Number:

Issue Date:

XCT-HTS059-CST

May 5, 2015